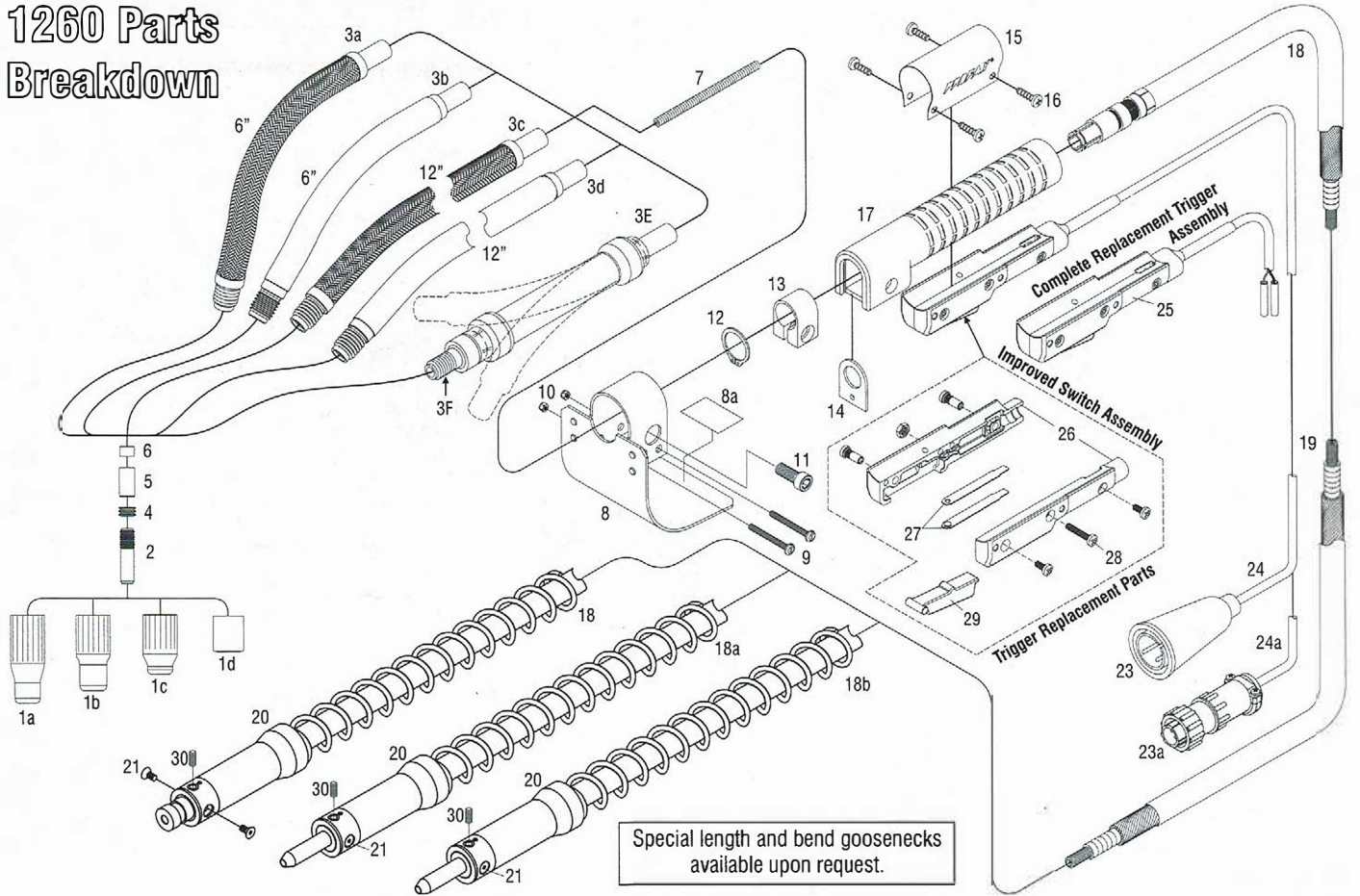


1260 Parts Breakdown



NO.	PART NO.	DESCRIPTION	NO.	PART NO.	DESCRIPTION			
1A	11-275	Insulated nozzle 2-3/4" stickout	8	14-268	Small heat shield assembly			
1B	11-200	Insulated nozzle 2" stickout			INCLUDES			
1C	11-250	Insulated nozzle 1-1/4" stickout	8A	14-270	Caution decal			
1D	11-231	Thread protector (Standard)	9	18-780	Round head screw #8-32 x 1.50 (2 req'd)			
2	12-651	Contact tip .035	10	18-781	Hex cap nut #8-32 (2 req'd)			
	12-652	Contact tip .045	.044 I.D.					
	12-658	Contact tip .052	.054 I.D.					
	12-653	Contact tip 1/16"	.063 I.D.	11	14-222	Socket head cap screw		
	12-654	Contact tip .068-.072	.078 I.D.	12	18-480	Retaining ring		
	12-656	Contact tip 5/64"	.086 I.D.	13	14-572	Clamp		
	12-657	Contact tip 3/32"	.093 I.D.	14	14-819	Spatter shield		
3A	13-301	30° Gooseneck 6" (Standard for 5/64 & 3/32 wires)	15	14-297	Switch housing clamp			
	13-301SB	30° Gooseneck 6" single bend	16	126-SS	Screw for switch housing clamp (4 req'd)			
	13-304	50° Gooseneck 6" (Standard for .045 & 1/16 wires)	17	14-340	Handle			
	13-304SB	50° Gooseneck 6" single bend	18	15-308*	Conductor cable assembly 8' (Lincoln® Direct)			
	13-309	90° Gooseneck 6"	15-310	Conductor cable assembly 10' (Lincoln® Direct)				
	13-301-5	Straight gooseneck w/5° bend	15-315	Conductor cable assembly 15' (Lincoln® Direct)				
3B	13-301J	30° Jacketed gooseneck 6"	18a	15-310M	Conductor cable assembly 10' (Miller® Direct)			
	13-301SBJ	30° Jacketed gooseneck 6" single bend	15-315M	Conductor cable assembly 15' (Miller® Direct)				
	13-304J	50° Jacketed gooseneck 6"	18b	15-310LP	Conductor cable assembly 10' (LN25 PRO® Direct)			
	13-304SBJ	50° Jacketed gooseneck 6" single bend	15-315LP	Conductor cable assembly 15' (LN25 PRO® Direct)				
	13-309J	90° Jacketed gooseneck 6"						
3C	13-306	30° Gooseneck (XL 12")	19	15-128	INCLUDES	I.D.	O.D.	
	13-306SB	30° Gooseneck (XL 12") single bend	15-129	Replacement liner 10', .035-1/16" wires	.078	.238		
	13-306-5	Straight gooseneck w/5° bend (XL 12")	15-129	Replacement liner 10', .068-5/64" wires	.132	.248		
	13-308	50° Gooseneck (XL 12")	15-130	Replacement liner 10', 3/32" wires	.150	.248		
	13-308SB	50° Gooseneck (XL 12") single bend	15-133	Replacement liner 15', .035-1/16" wires	.078	.238		
3D	13-306J	30° Jacketed gooseneck (XL 12")	15-134	Replacement liner 15', .068-5/64" wires	.130	.248		
	13-306SBJ	30° Jacketed gooseneck (XL 12") single bend	15-135	Replacement liner 15', 3/32" wires	.150	.248		
	13-308J	50° Jacketed gooseneck (XL 12")	20	15-531	Insulator sleeve w/spring			
	13-308SBJ	50° Jacketed gooseneck (XL 12") single bend	21	18-881	Flat head cap screw #8-32 x 3/8" (2 req'd)			
	3E	LFX-1260	Flexible gooseneck for extreme heat	23	16-052	Trigger plug Lincoln®		
3F	LFA-1	Adapter (replaceable)	23a	079878	Trigger plug Miller®			
4	18-950	Liner locking screw 5/16"-18	24	16-910	New style assembly 10' (Lincoln® Direct)			
	18-940	Steel insert	16-915	New style assembly 15' (Lincoln® Direct)				
5	18-930	Ceramic insert	24a	16-910M	New style assembly 10' (Miller® Direct)			
	13-506	Replacement gooseneck liner (Std.)	16-915M	New style assembly 15' (Miller® Direct)				
6	13-512	Replacement gooseneck liner (XL 30°)	25	16-500	Complete trigger assembly	(New Style)		
	13-515	Replacement gooseneck liner (XL 50°)	26	16-501	Trigger housing (both halves)	(New Style)		
			27	16-502	Contact set	(New Style)		
7			28	16-503	Screw set (6 pieces)	(New Style)		
			29	16-504	Trigger	(New Style)		
			30	18-628	Socket head screw #8-32 x 7/16"			